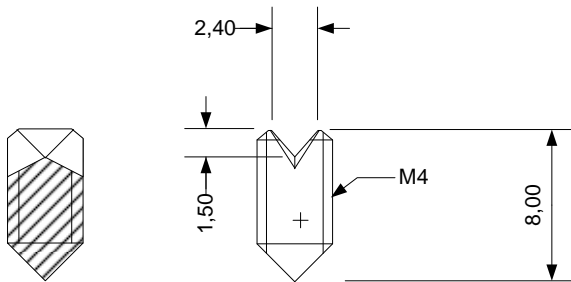


Quantity: 100 pcs



	Ergonomic Guitar System			
	Tuner Housing			
Date: 2008-08-07	SIZE	FSCM NO	DWG NO EGSB-1	REV 4
	SCALE	2,5:1	SHEET	1 OF 10

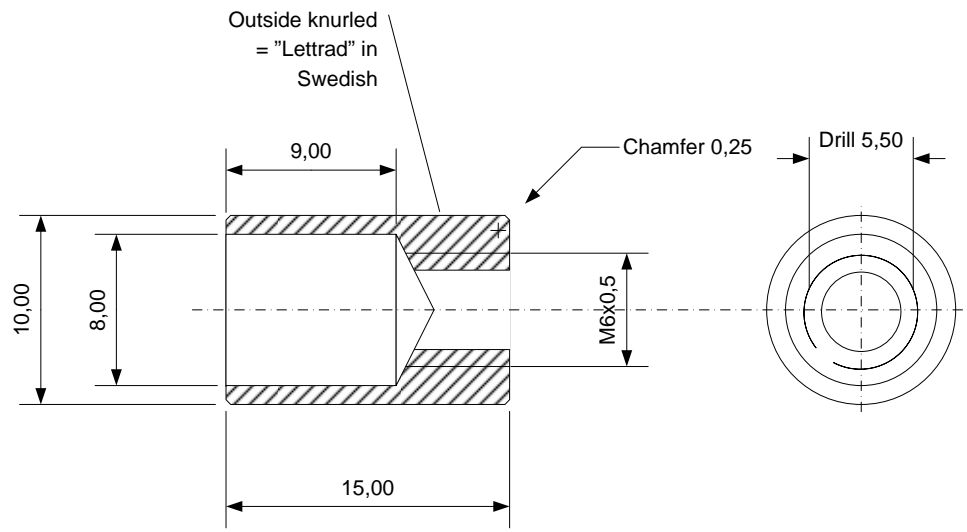


Cross Section



Stainless Steel
Bottom is not important

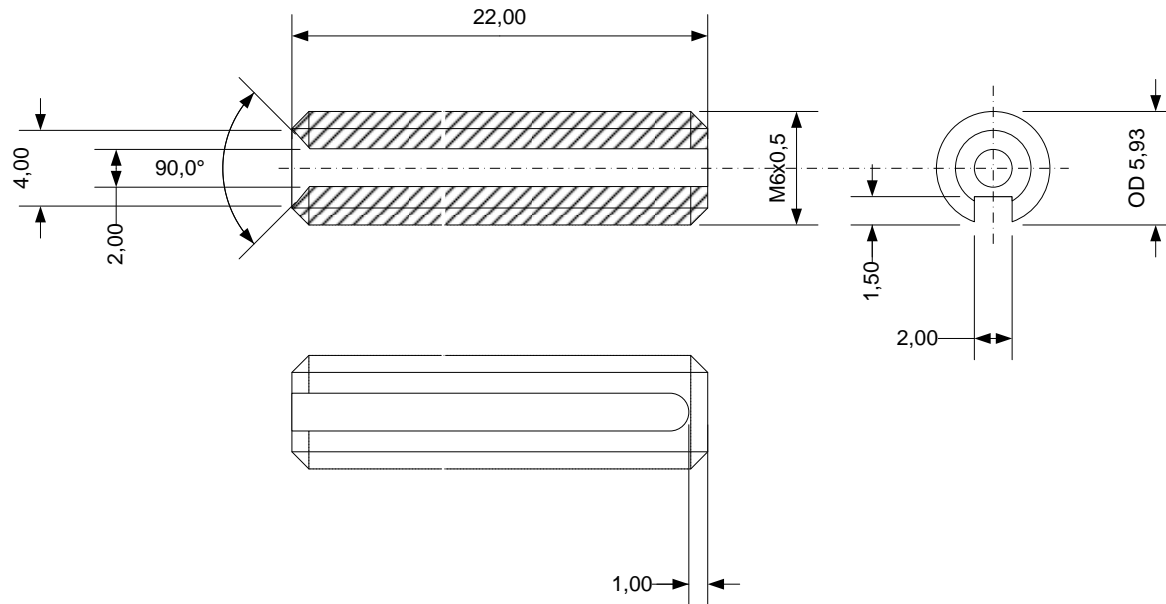
Quantity: 100 pcs

	Ergonomic Guitar System			
	String Rest			
Date: 2008-08-06	SIZE	FSCM NO	DWG NO EGSB-2	REV 4
	SCALE	2,5:1	SHEET	2 OF 10





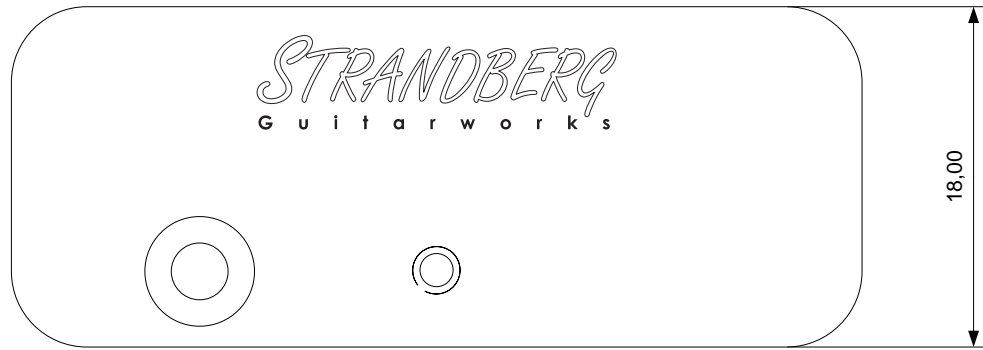
Quantity: 100 pcs

	Ergonomic Guitar System			
	Knob			
Date: 2008-08-06	SIZE	FSCM NO	DWG NO EGSB-3	REV 4
	SCALE	2,5:1	SHEET	3 OF 10

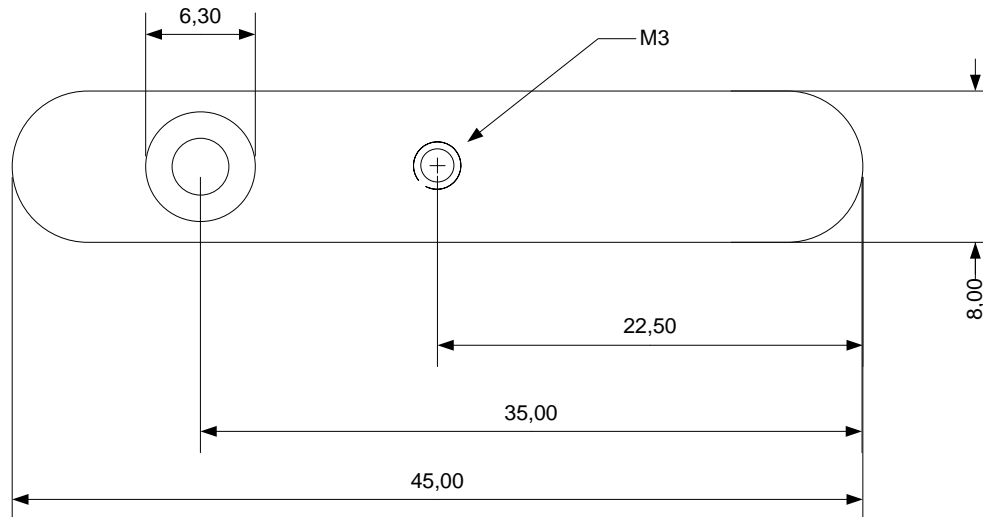


Quantity: 100 pcs

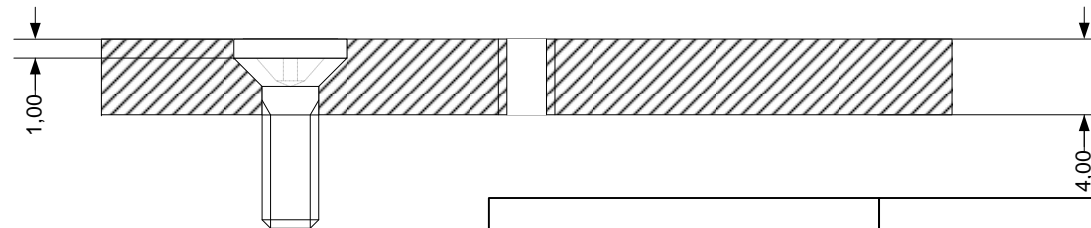
	Ergonomic Guitar System			
	Plunger			
Date: 2008-08-06	SIZE	FSCM NO	DWG NO EGSB-4	REV 4
	SCALE	2,5:1	SHEET	4 OF 10





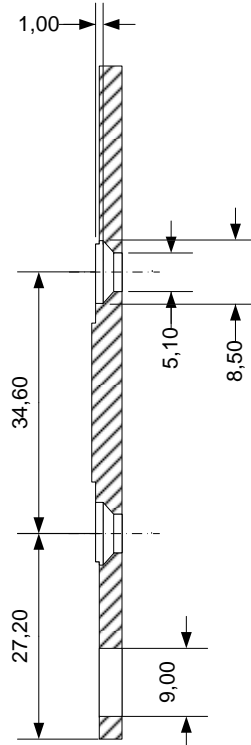
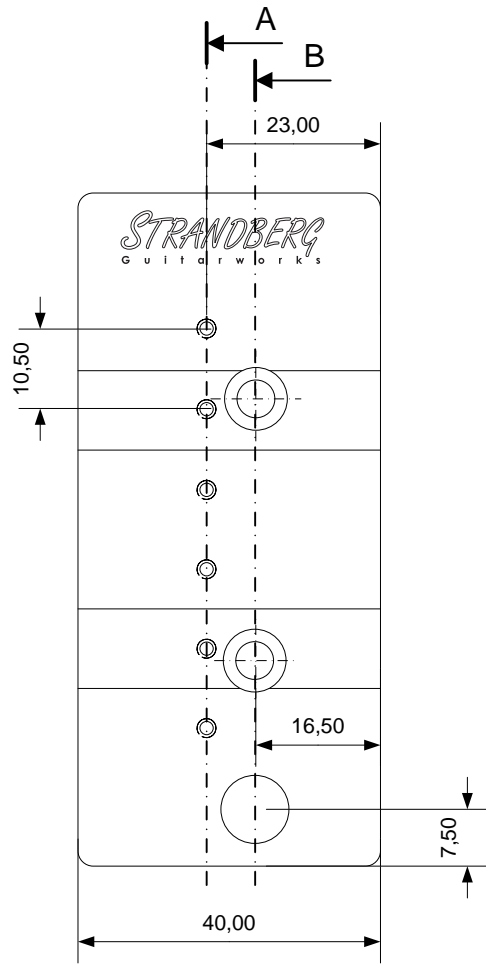
Version 1
Quantity: 15 pcs



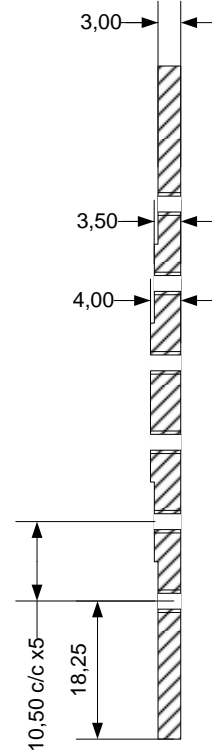
Version 2
Quantity: 100 pcs



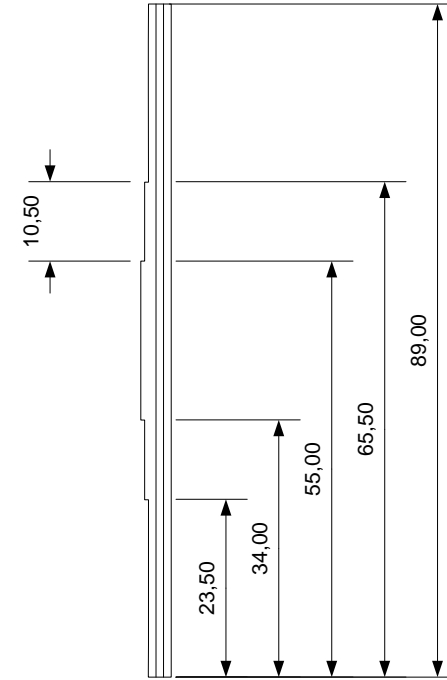
	Ergonomic Guitar System			
	Single Tuner Base			
Date: 2008-08-06	SIZE	FSCM NO	DWG NO EGSB-S-1	REV 4
	SCALE 2,5:1	SHEET 5 OF 10		



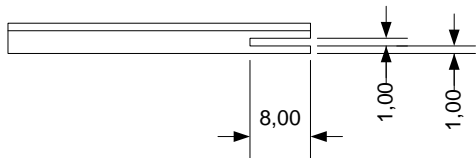
Section B



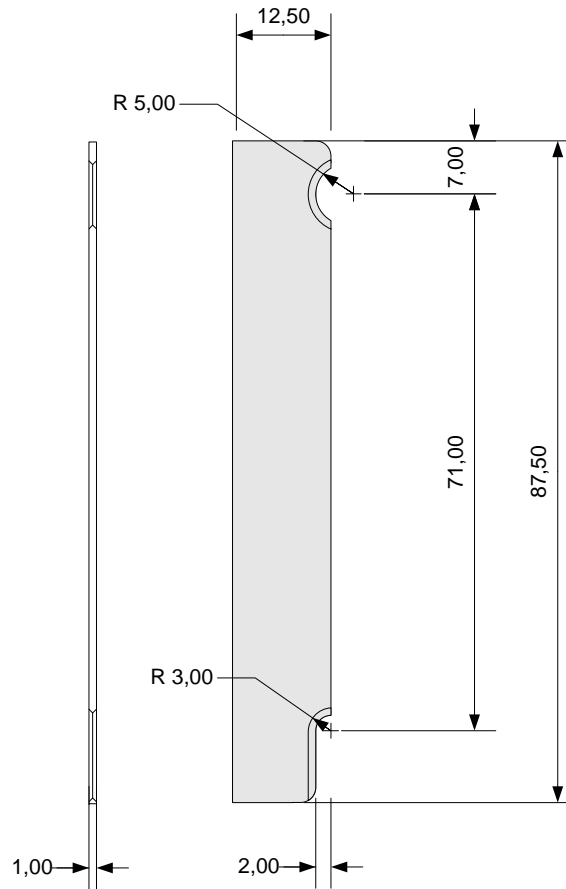
Section A



Quantity: 15 pcs





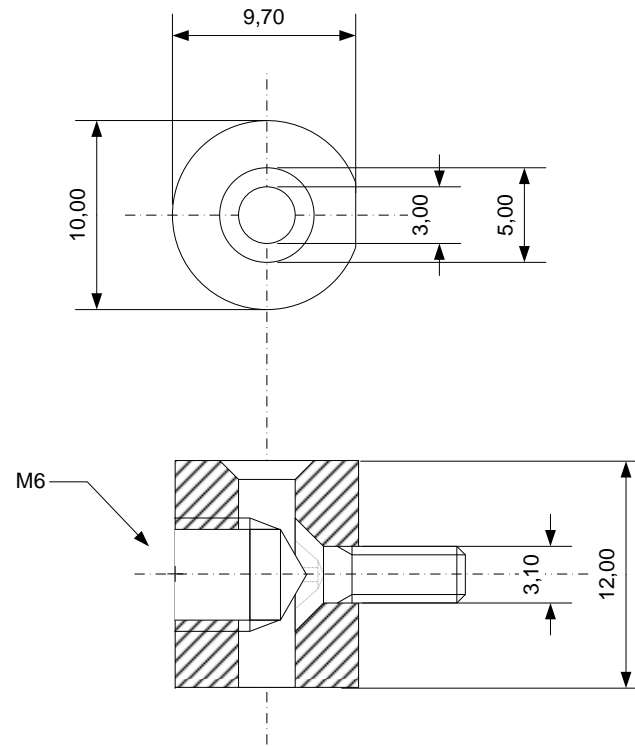
	Ergonomic Guitar System		
	Bridge Base Plate		
Date: 2008-08-06	SIZE	FSCM NO	DWG NO EGSB-FR-1
	SCALE	1:1	REV 4
	SHEET		6 OF 10





Hardened Steel
Grind to sharp edges in cut-aways

Quantity: 15 pcs

	Ergonomic Guitar System			
	Bridge Hardened Fulcrum			
Date: 2008-08-06	SIZE	FSCM NO	DWG NO EGSB-FR-2	REV 4
	SCALE	1:1	SHEET	7 OF 10



Quantity: 100 pcs

	Ergonomic Guitar System			
	String Fastener			
Date: 2008-08-06	SIZE	FSCM NO	DWG NO EGSB-F-1	REV 4
	SCALE 2,5:1		SHEET 8 OF 10	